

Packwood Hydroelectric Project Tailrace Fish Exclusion Barrier Options

Presented By:



Ed Donahue, PE
John Nelson, PE

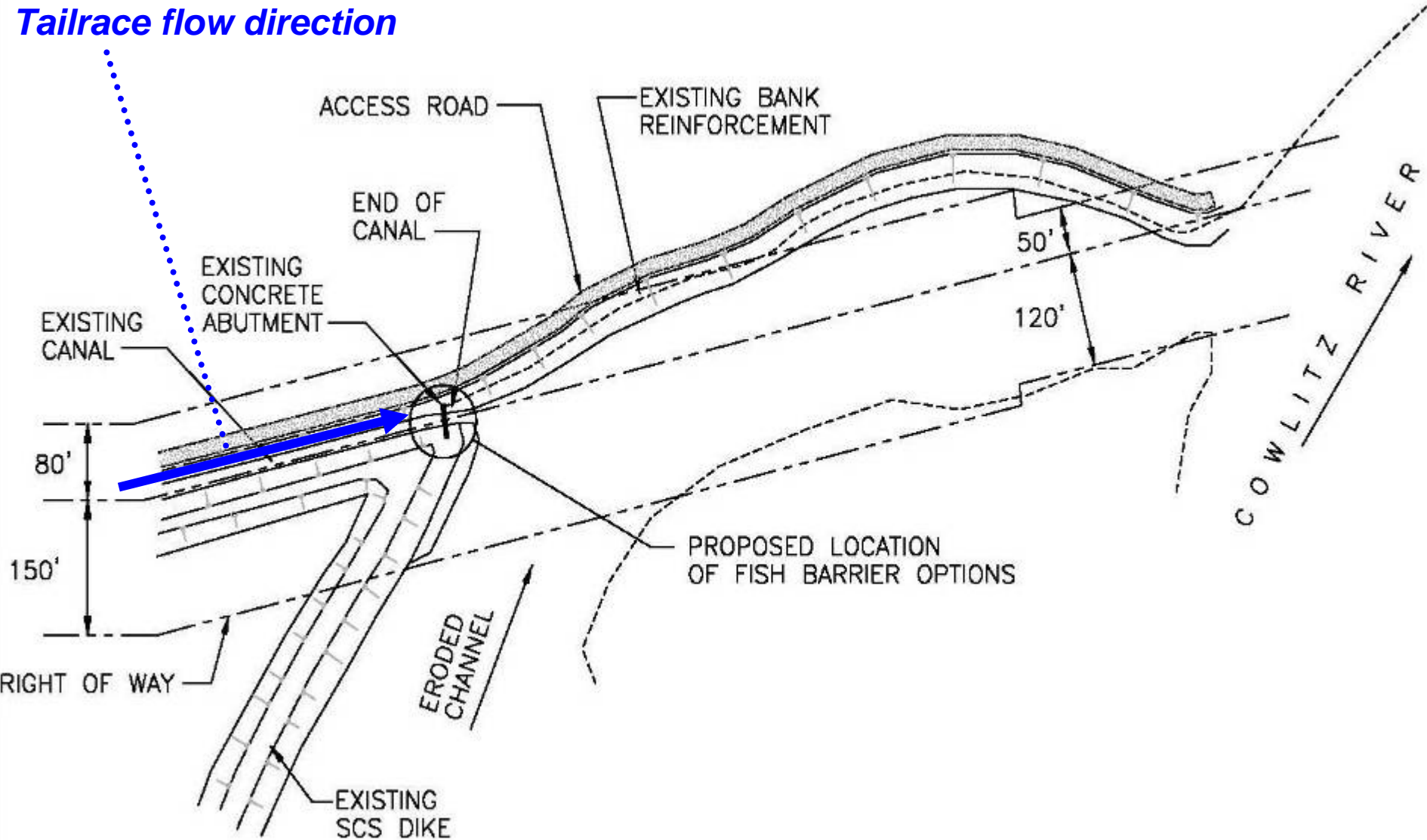
Presented To:



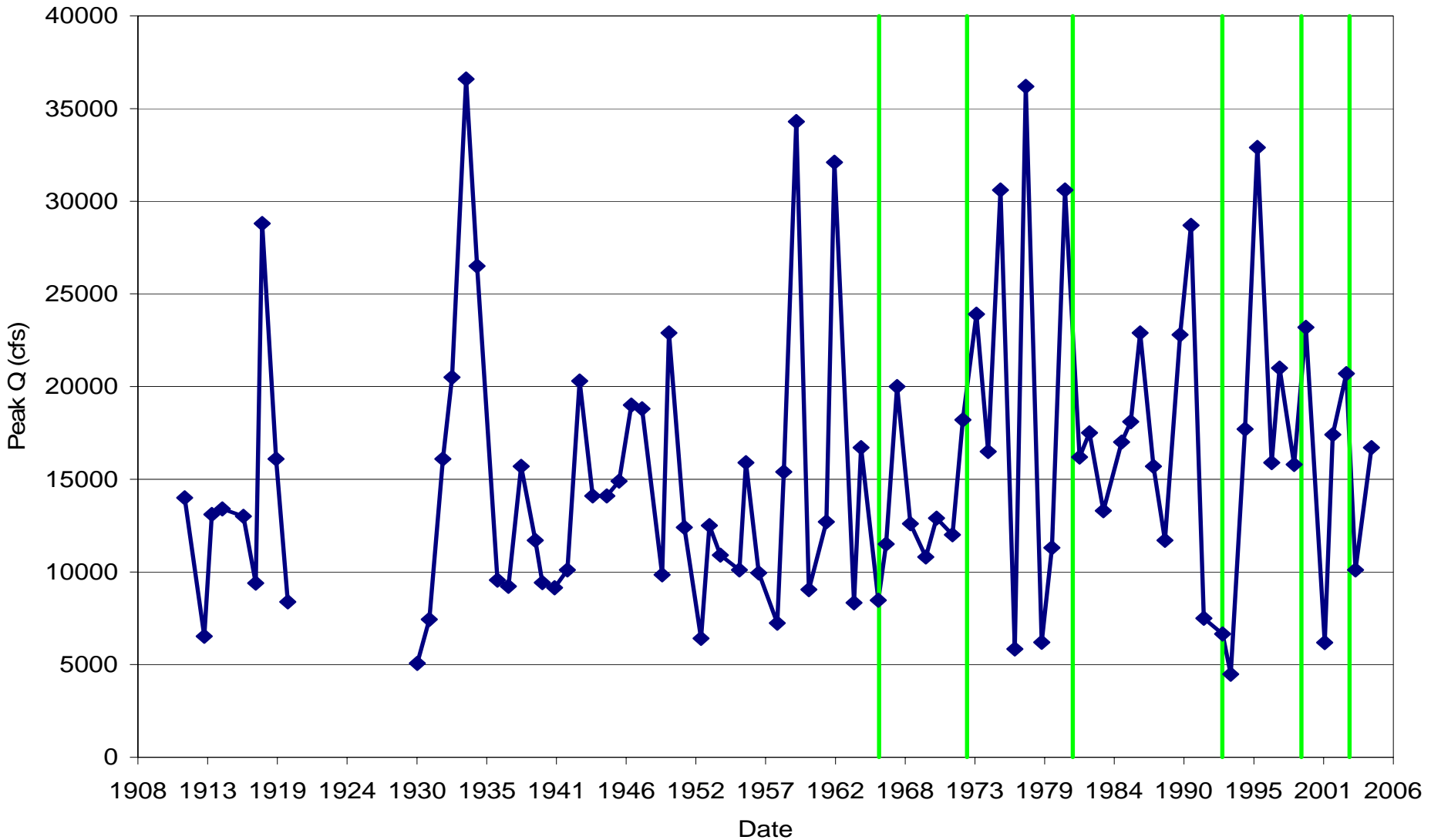
September 19, 2006

Existing Plan

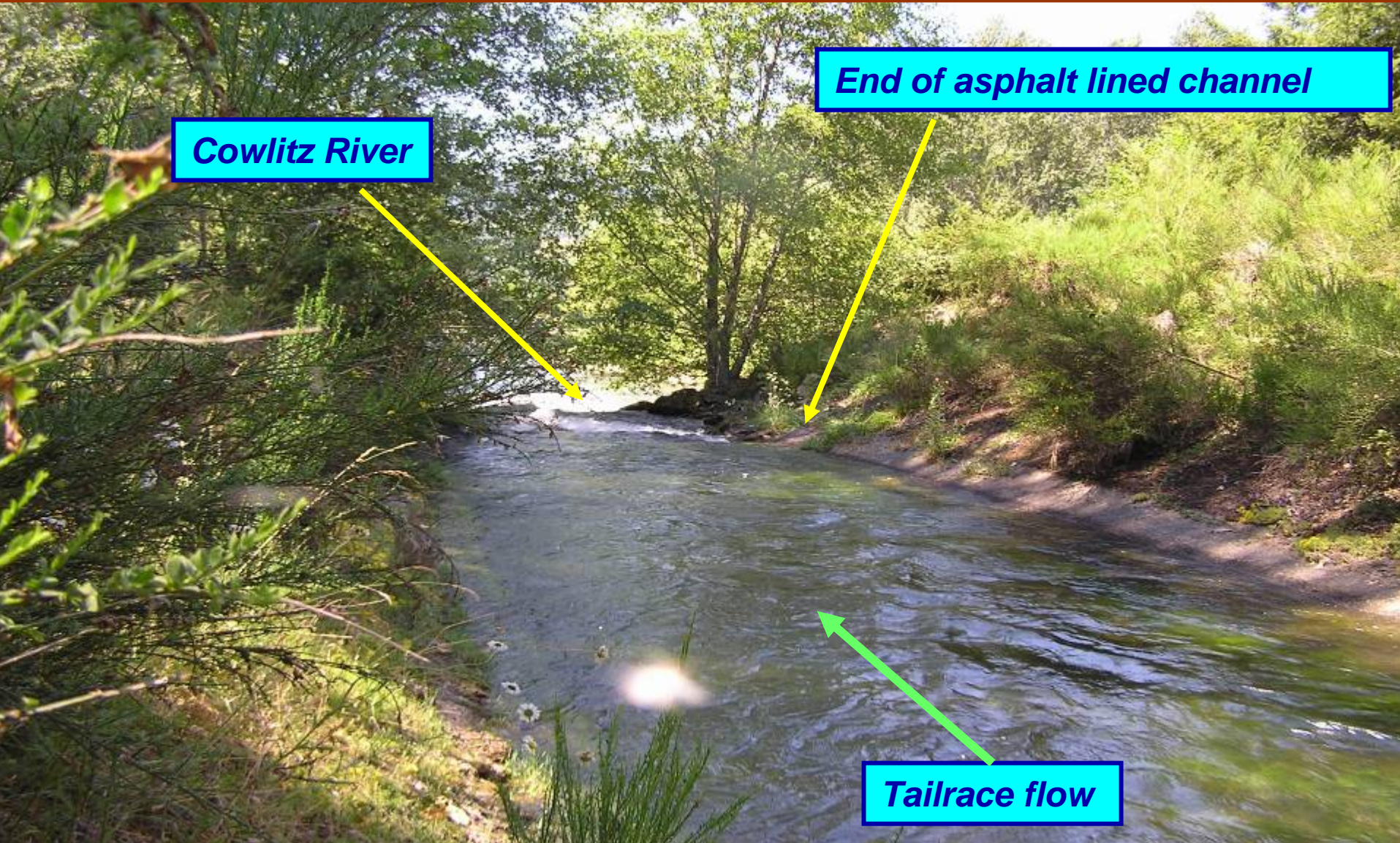
Tailrace flow direction



Cowlitz River Hydrograph



Tailrace Outfall - Downstream



Cowlitz River

End of asphalt lined channel

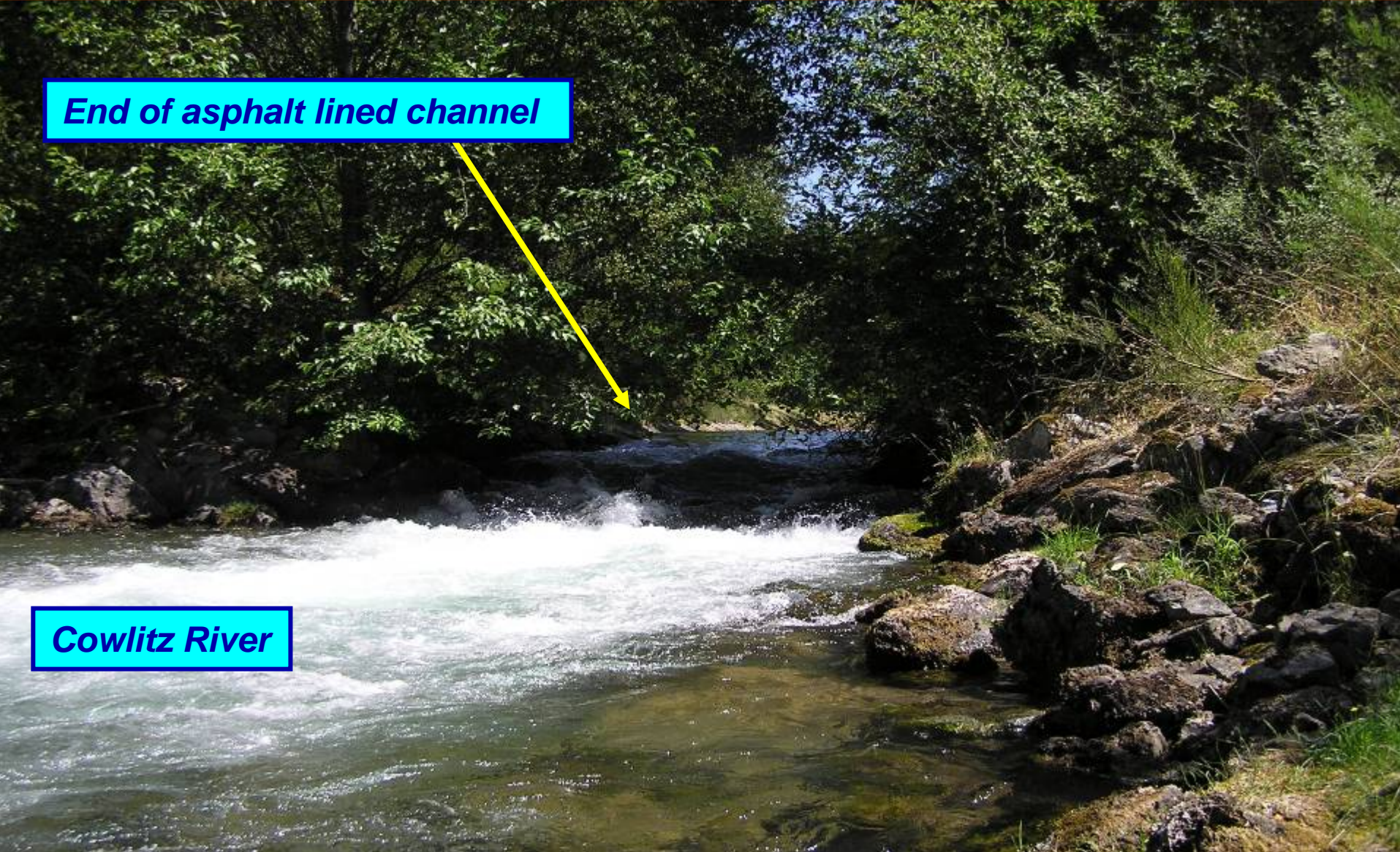
Tailrace flow

Tailrace Outfall - Upstream

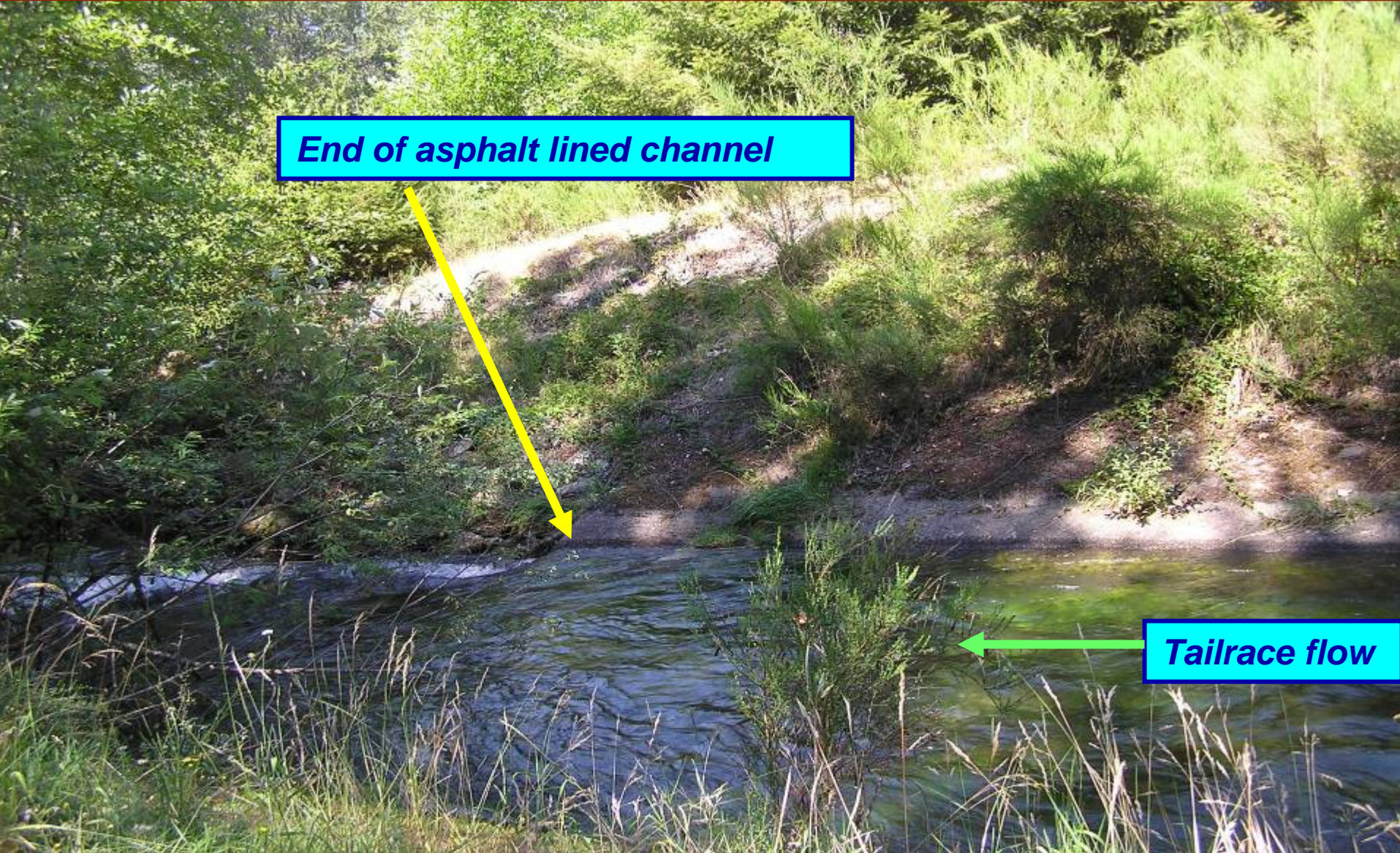
End of asphalt lined channel



Cowlitz River



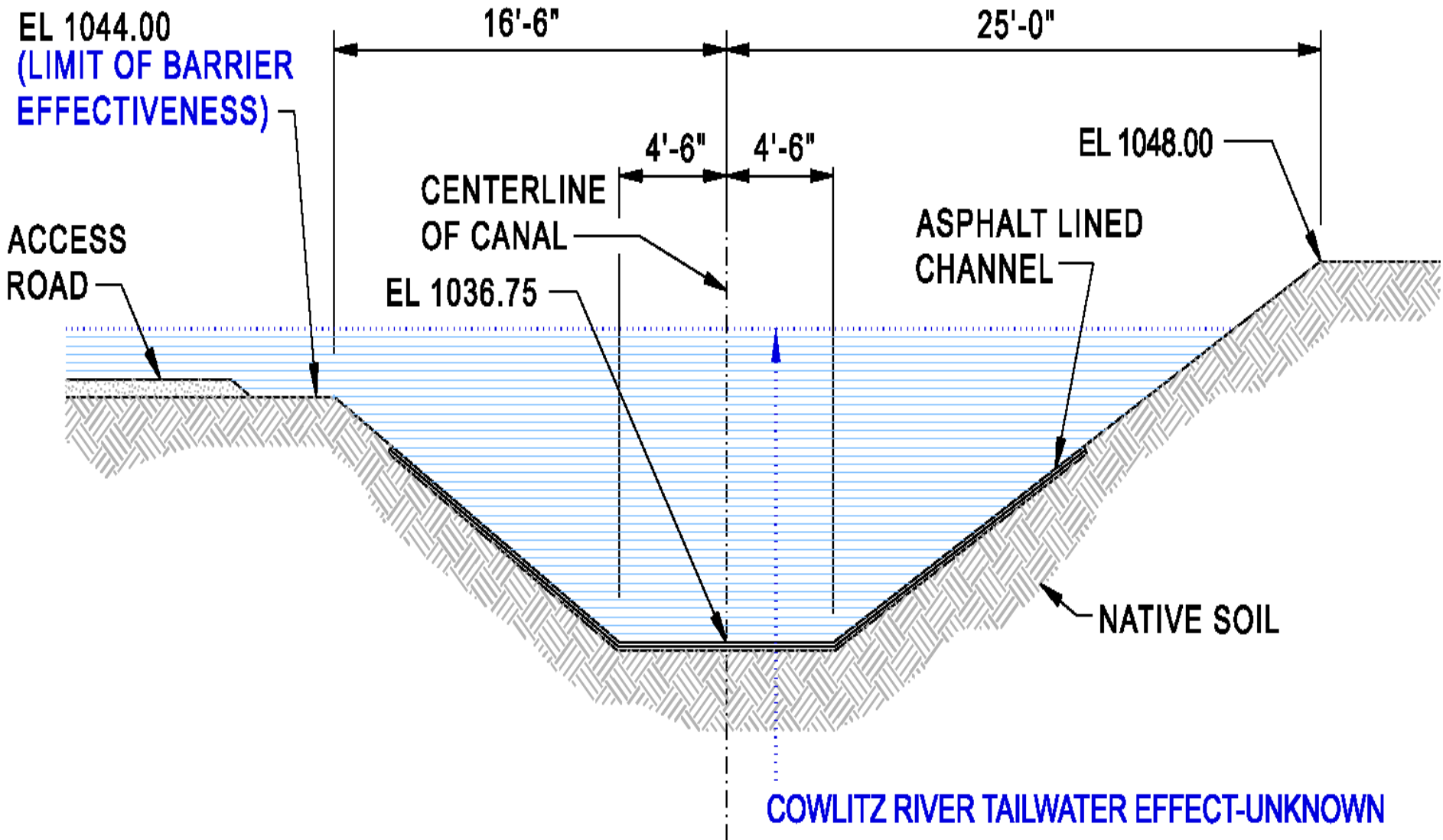
Proposed Tailrace Barrier Location



End of asphalt lined channel

Tailrace flow

Tailrace barrier location

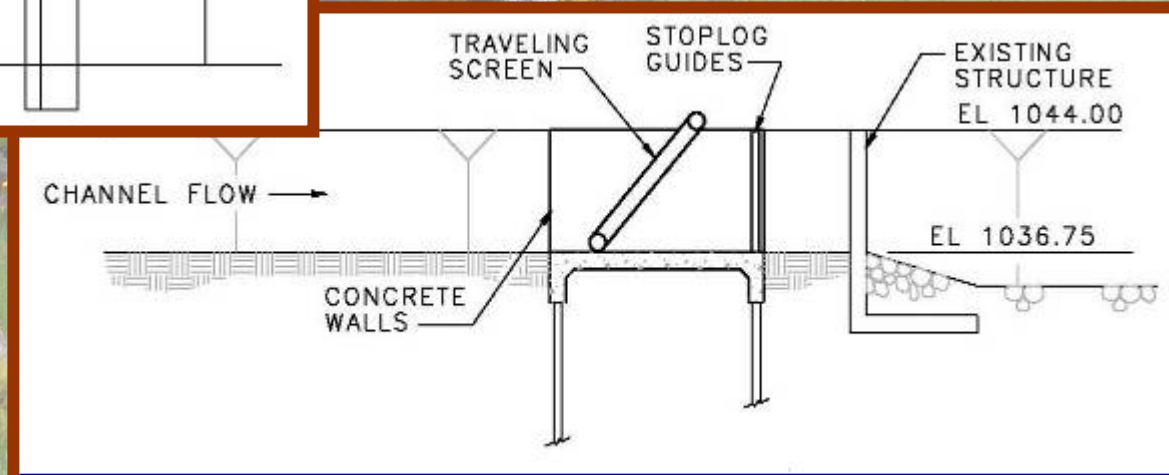
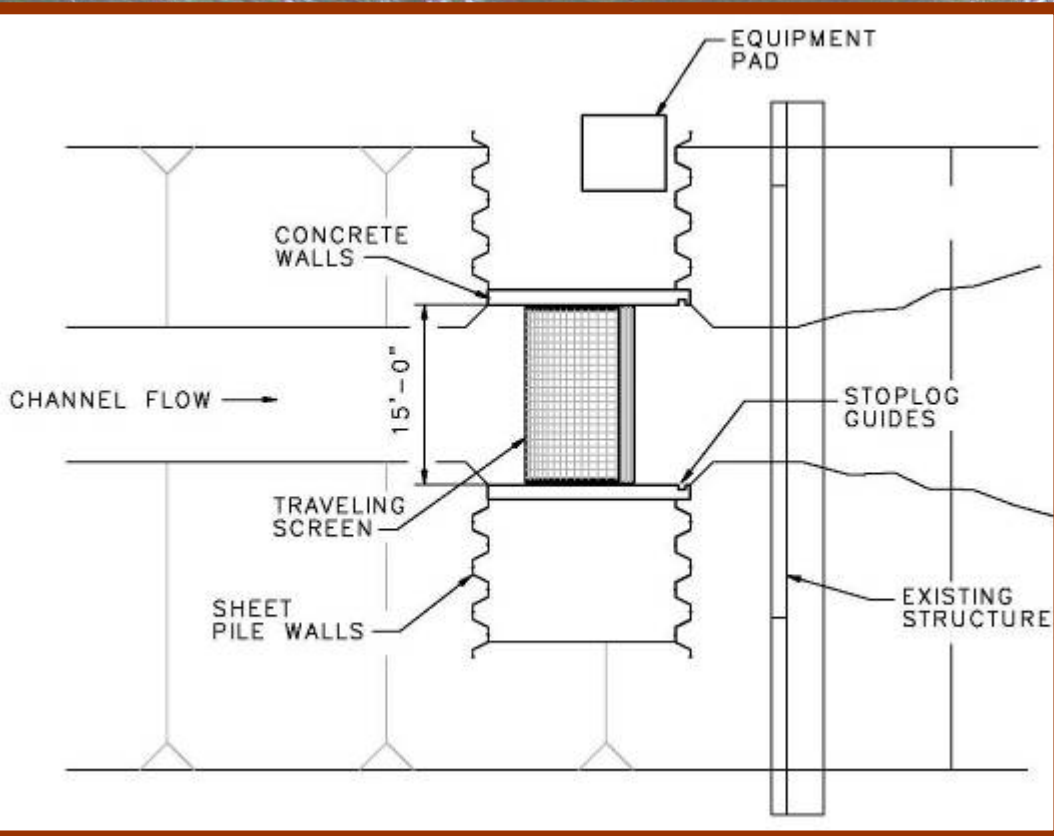


Options

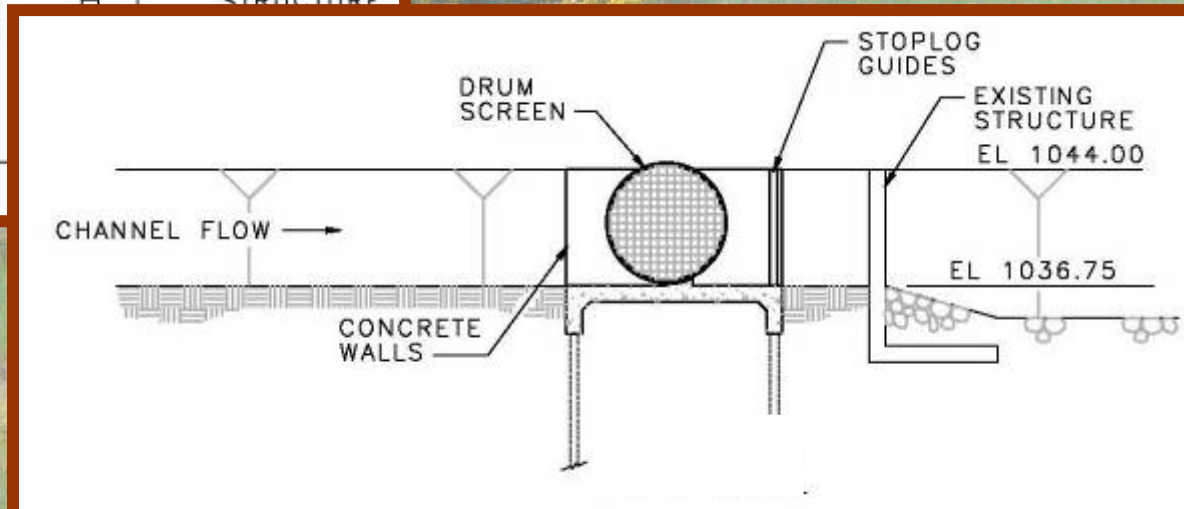
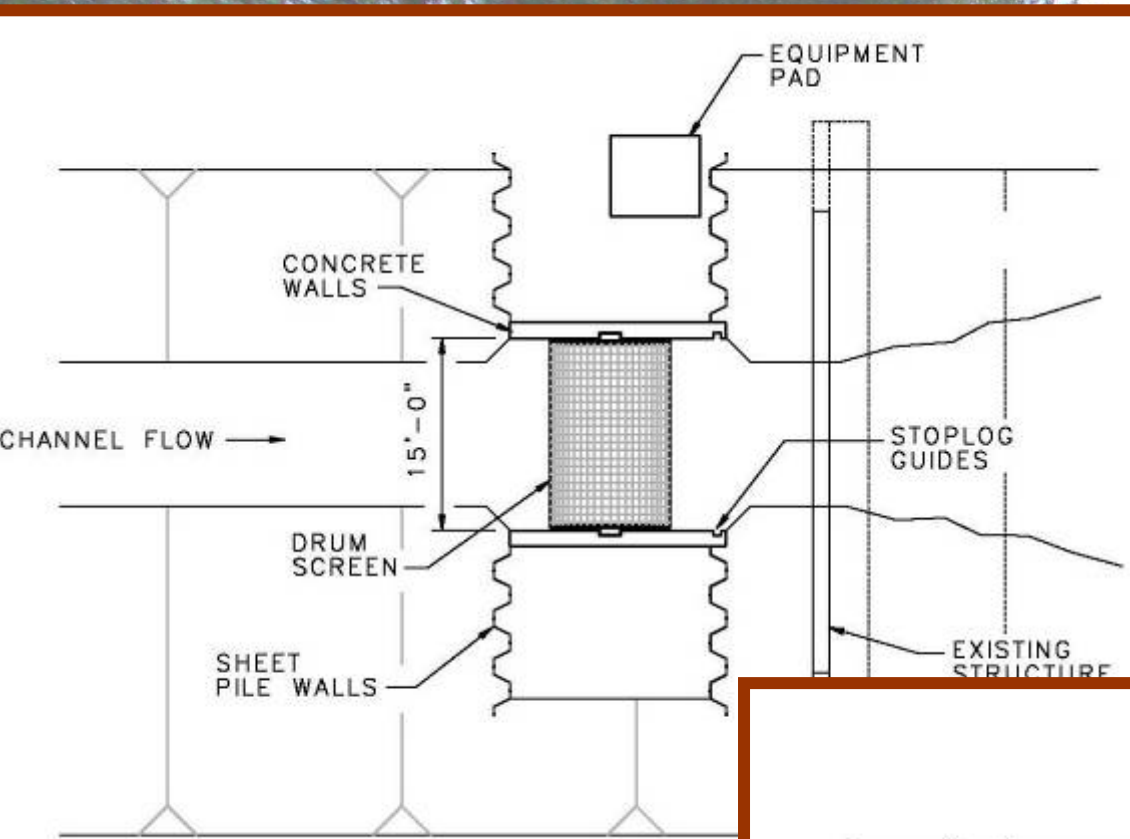
- Inclined Traveling Screen
- Rotating Drum Screen
- Vertical Picket
- Inclined Picket



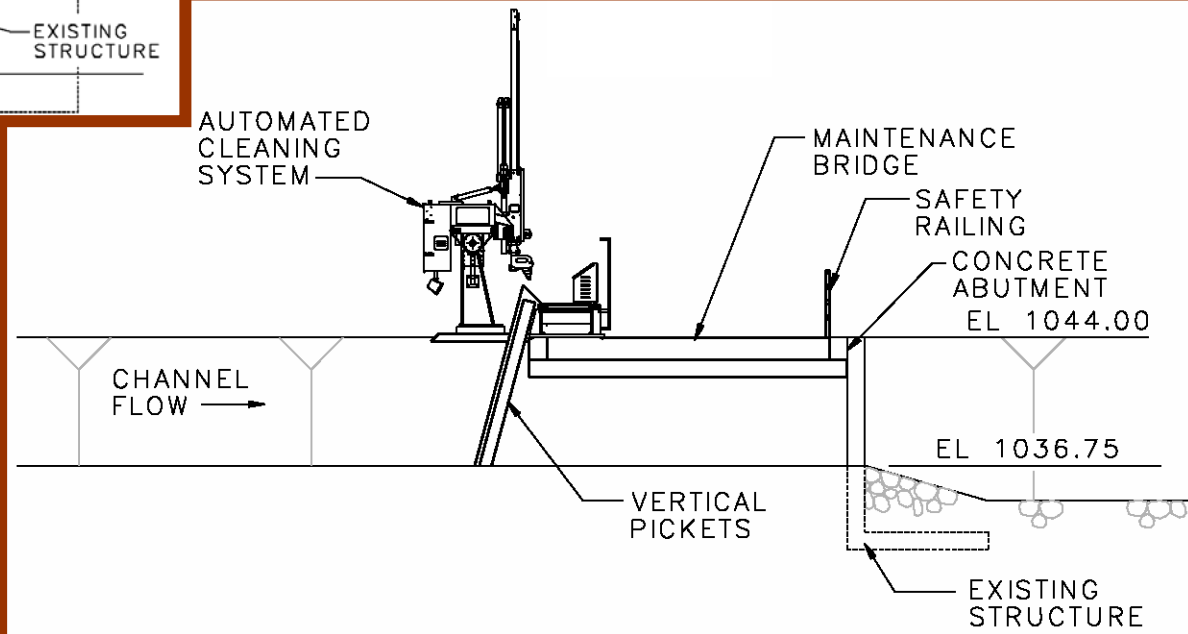
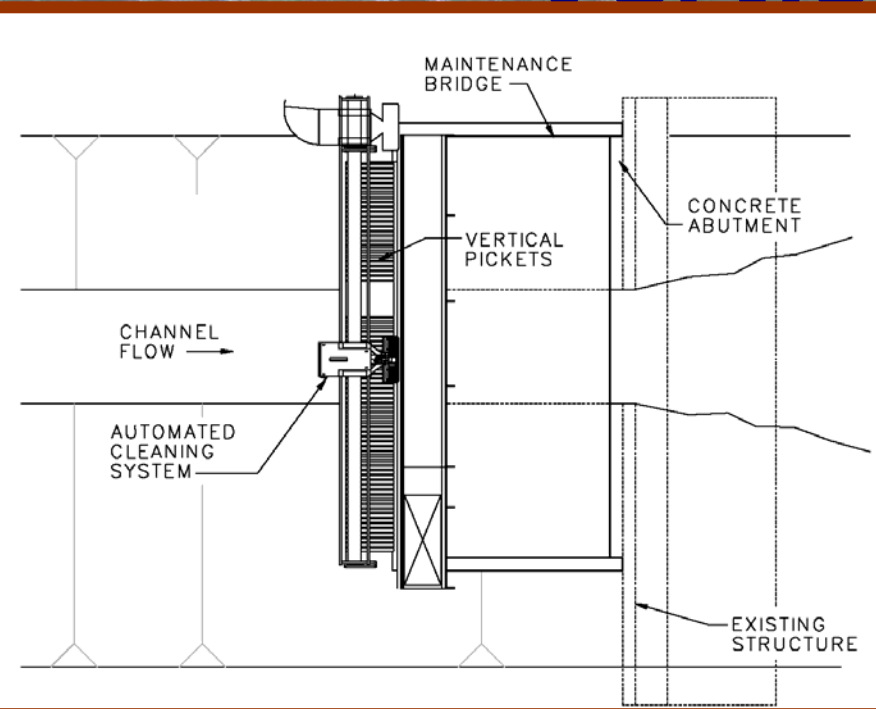
Inclined Traveling Screen



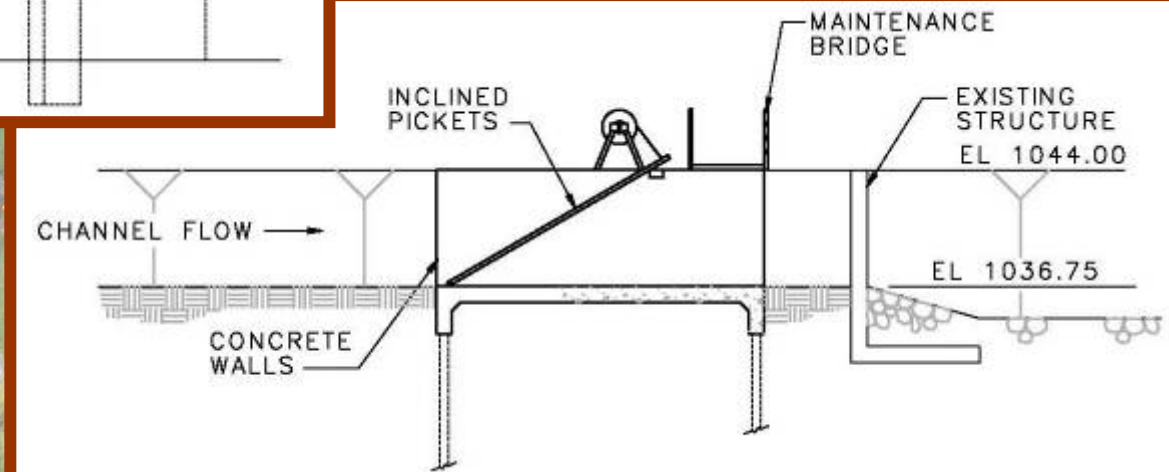
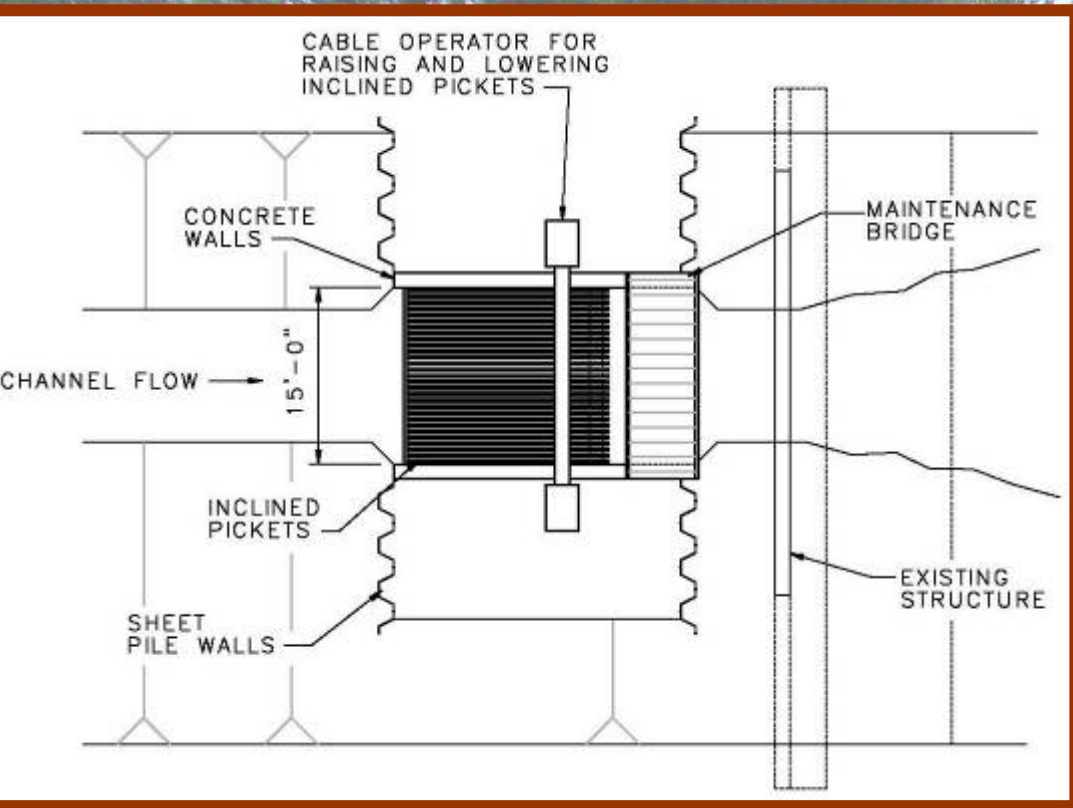
Rotating Drum Screen



Vertical Picket



Inclined Picket



Yakima Water Supply Intake Upstream Barrier



Packwood Hydroelectric Project Tailrace Fish Exclusion Barrier Options

Presented By:



Ed Donahue, PE
John Nelson, PE

Presented To:



September 19, 2006

Vertical Picket Barrier



Inclined Picket Barrier



Inclined Traveling Screen



Rotating Drum Screen

